

Swivel clamp connector joints

Aluminium

SPECIFICATION

Identification No.

No. **2**: with 2 Stainless Steel-clamping screws DIN 912

Types

- Type **S**: stepless adjustment
- Type **T**: adjustment by 15°- division (serration)

Aluminium

plastic coated

black RAL 9005, textured finish **SW**

blank **BL**

matt shot-blasted

Clamping bore mechanically machined

Socket cap screws DIN 912

Stainless Steel AISI 304

Hexagon nuts DIN 985

Stainless Steel AISI 304



INFORMATION

The swivel clamp connector joints GN 282 are an assembly of of the swivel clamp connectors GN 272 (see page 1848) and GN 276 (see page 1852).

For the type with stepless adjustment (Type S) swivel clamp connectors with a centring step are used.

The clamping bore is mechanically machined and designed for construction tubes GN 990 (see page 1902) or DIN 2391, DIN 2395 and DIN 2462 respectively.

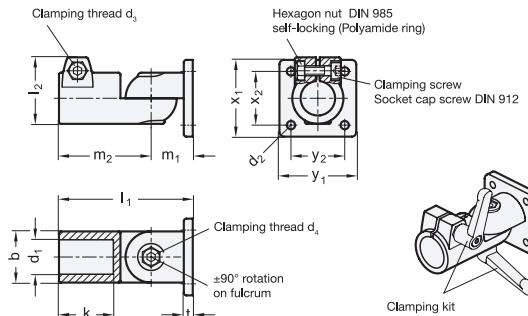
The standard clamping screws are socket cap screws DIN 912. They can be replaced by clamping kits GN 911 (see page 1874) (article code see table of dimensions).

ACCESSORY

- Clamping kits GN 911 (see page 1874)

* Complete with colour index of the Swivel clamp connector joints (SW or BL)

SW	BL
RAL9005	blank



GN 282

Description	d1	b	d2	d3	d4	k	l1	l2	m1	m2	t	x1	x2	y1	y2	Clamping kits for d3	Clamping kits for d4	⚖
GN 282-B20-S-2-* B 20	40	6.5	M 8	M 8	M 8	42.5	104.5	52	32.5	72	7	60	42	60	42	GN 911-M8-32	GN 911-M8-35	342
GN 282-B25-S-2-* B 25	40	6.5	M 8	M 8	M 8	42.5	104.5	52	32.5	72	7	60	42	60	42	GN 911-M8-32	GN 911-M8-35	323
GN 282-B30-S-2-* B 30	40	6.5	M 8	M 8	M 8	42.5	104.5	52	32.5	72	7	60	42	60	42	GN 911-M8-32	GN 911-M8-35	300
GN 282-B40-S-2-* B 40	65	11	M 10	M 10	M 10	74	167	77.5	52	115	14	105	74	105	74	GN 911-M10-55	GN 911-M10-63	1380
GN 282-B42-S-2-* B 42	65	11	M 10	M 10	M 10	74	167	77.5	52	115	14	105	74	105	74	GN 911-M10-55	GN 911-M10-63	1340
GN 282-B45-S-2-* B 45	65	11	M 10	M 10	M 10	74	167	77.5	52	115	14	105	74	105	74	GN 911-M10-55	GN 911-M10-63	1300
GN 282-B48-S-2-* B 48	65	11	M 10	M 10	M 10	74	167	77.5	52	115	14	105	74	105	74	GN 911-M10-55	GN 911-M10-63	1255
GN 282-B50-S-2-* B 50	65	11	M 10	M 10	M 10	74	167	77.5	52	115	14	105	74	105	74	GN 911-M10-55	GN 911-M10-63	1200
GN 282-B20-T-2-* B 20	40	6.5	M 8	M 8	M 8	42.5	104.5	52	32.5	72	7	60	42	60	42	GN 911-M8-35	GN 911-M8-35	342
GN 282-B25-T-2-* B 25	40	6.5	M 8	M 8	M 8	42.5	104.5	52	32.5	72	7	60	42	60	42	GN 911-M8-35	GN 911-M8-35	323
GN 282-B30-T-2-* B 30	40	6.5	M 8	M 8	M 8	42.5	104.5	52	32.5	72	7	60	42	60	42	GN 911-M8-35	GN 911-M8-35	298
GN 282-B40-T-2-* B 40	65	11	M 10	M 10	M 10	74	167	77.5	52	115	14	105	74	105	74	GN 911-M10-55	GN 911-M10-63	1390
GN 282-B42-T-2-* B 42	65	11	M 10	M 10	M 10	74	167	77.5	52	115	14	105	74	105	74	GN 911-M10-55	GN 911-M10-63	1345
GN 282-B45-T-2-* B 45	65	11	M 10	M 10	M 10	74	167	77.5	52	115	14	105	74	105	74	GN 911-M10-55	GN 911-M10-63	1310
GN 282-B48-T-2-* B 48	65	11	M 10	M 10	M 10	74	167	77.5	52	115	14	105	74	105	74	GN 911-M10-55	GN 911-M10-63	1265
GN 282-B50-T-2-* B 50	65	11	M 10	M 10	M 10	74	167	77.5	52	115	14	105	74	105	74	GN 911-M10-55	GN 911-M10-63	1255

Weight BL